

## **Installation Instructions for RH-4200, RH-4201 and RH-4100:**

1) Mark the points of installation (areas in tunnels and buildings or under bridges are not suitable):

Distance between studs:

- Approximately 16-20 feet (5-6m) for roadways and freeways.
- Approximately 6-10 feet (2-3m) for dangerous entrances and exits.
- Approximately 1.6-6.5 feet (0.5-2m) for entrances and exits of hospitals, parking garages, etc.

2) Drill the holes:

Diameter:50mm

Depth: 60mm

3) Clean debris from the hole.

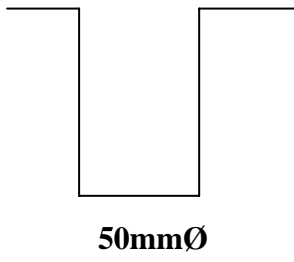
4) Fill up the drilled hole with glue (**do not use high-temperature glue!**)

5) Install the stud into the adhesive paste.

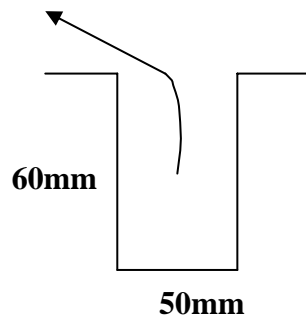
6). Position the light correctly and insert into the hole gently so the bond liquid will spill over to the edge of the light and fill the whole area between the road surface and the light as shown in the diagram below.

**Attention!:** Make sure the glue has dried completely and the stud has settled before the lane is re-opened to traffic.

**1. Drill hole**



**2. Cleaning the hole**



**3. Pour the glue**

